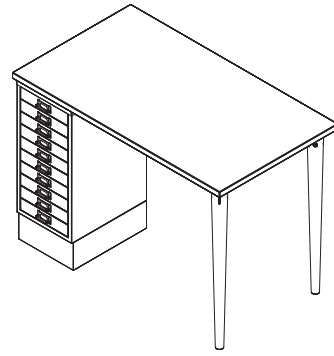


# MULTIDESK ASSEMBLY INSTRUCTIONS

## Multidesk



**ATTENTION:** Please ensure you have all the parts before commencing assembly. Please read all of the instructions before beginning. Follow the instructions step by step.

### Components



**A**  
No.8x3/8" SCREW  
2 x PIECES



**B**  
No.8x1" SCREW  
4 x PIECES (PER LEG)

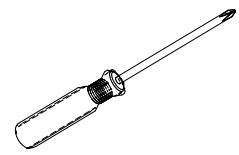


**D**  
STICKY PADS  
4 x PIECES



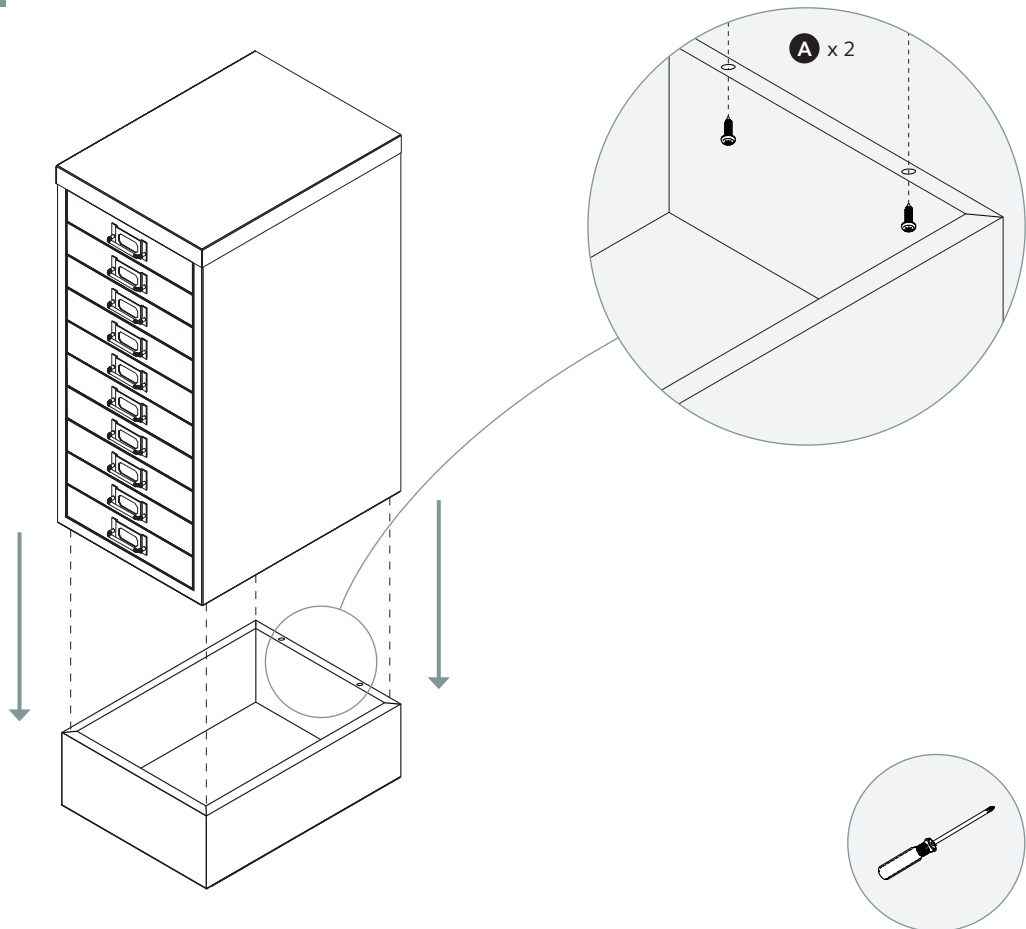
**C**  
M5 CUP WASHER  
4 x PIECES (PER LEG)

### Required



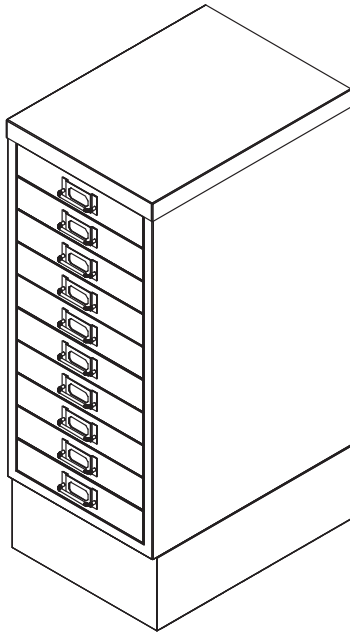
SCREWDRIVER x 1

### Step 1

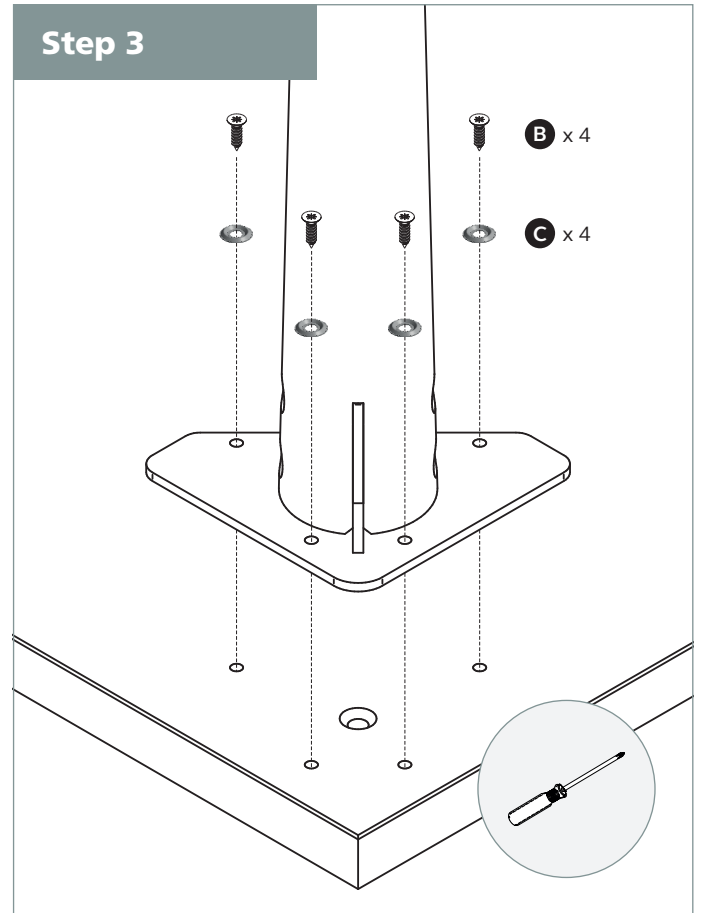


# P2 | BUILD ASSEMBLY

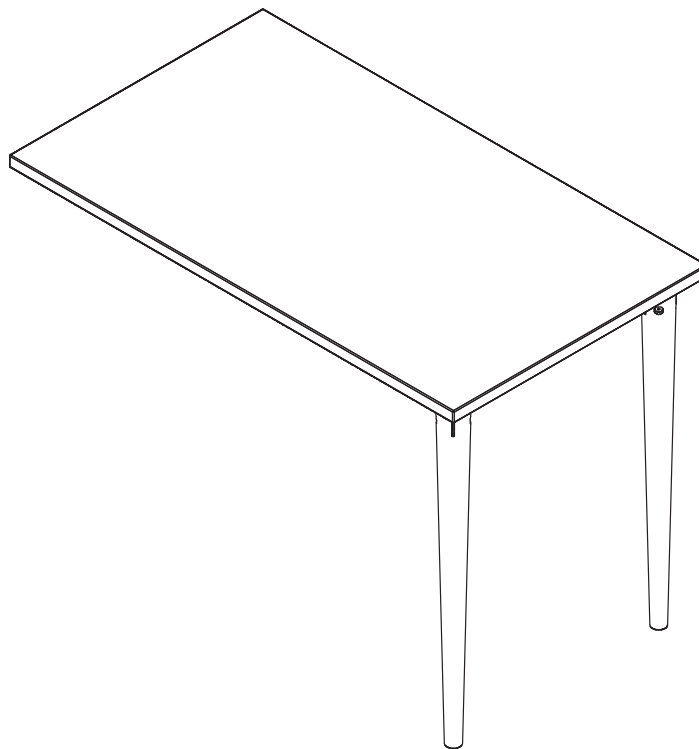
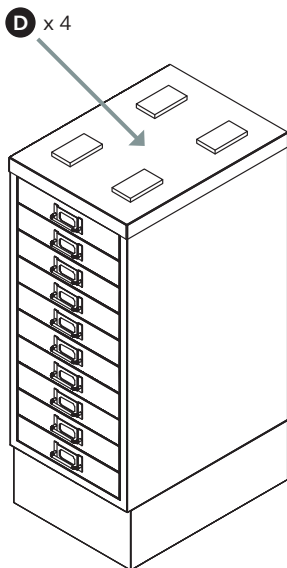
## Step 2



## Step 3

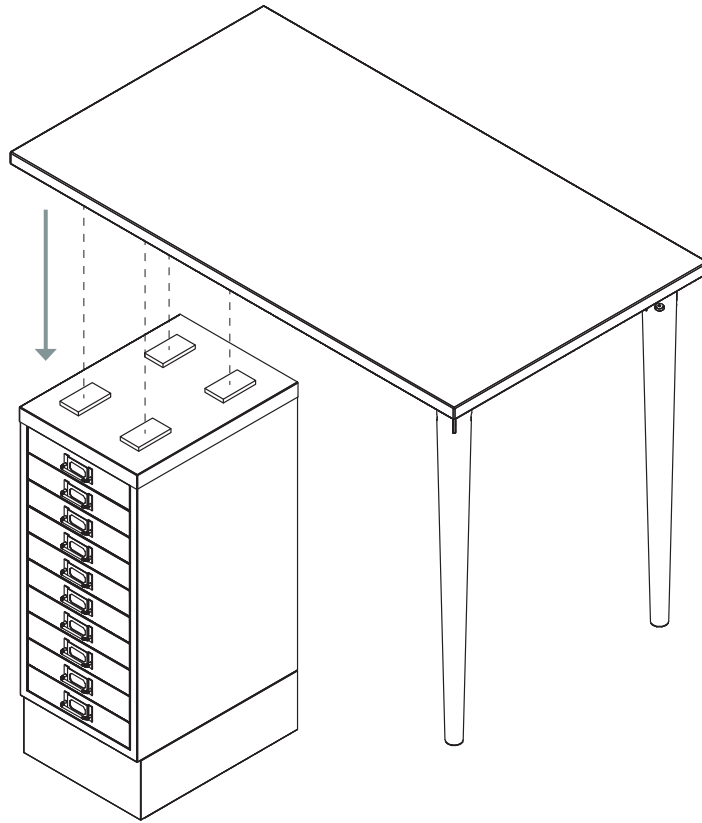


## Step 4



## P3 | BUILD ASSEMBLY

### Step 5



### Step 6

